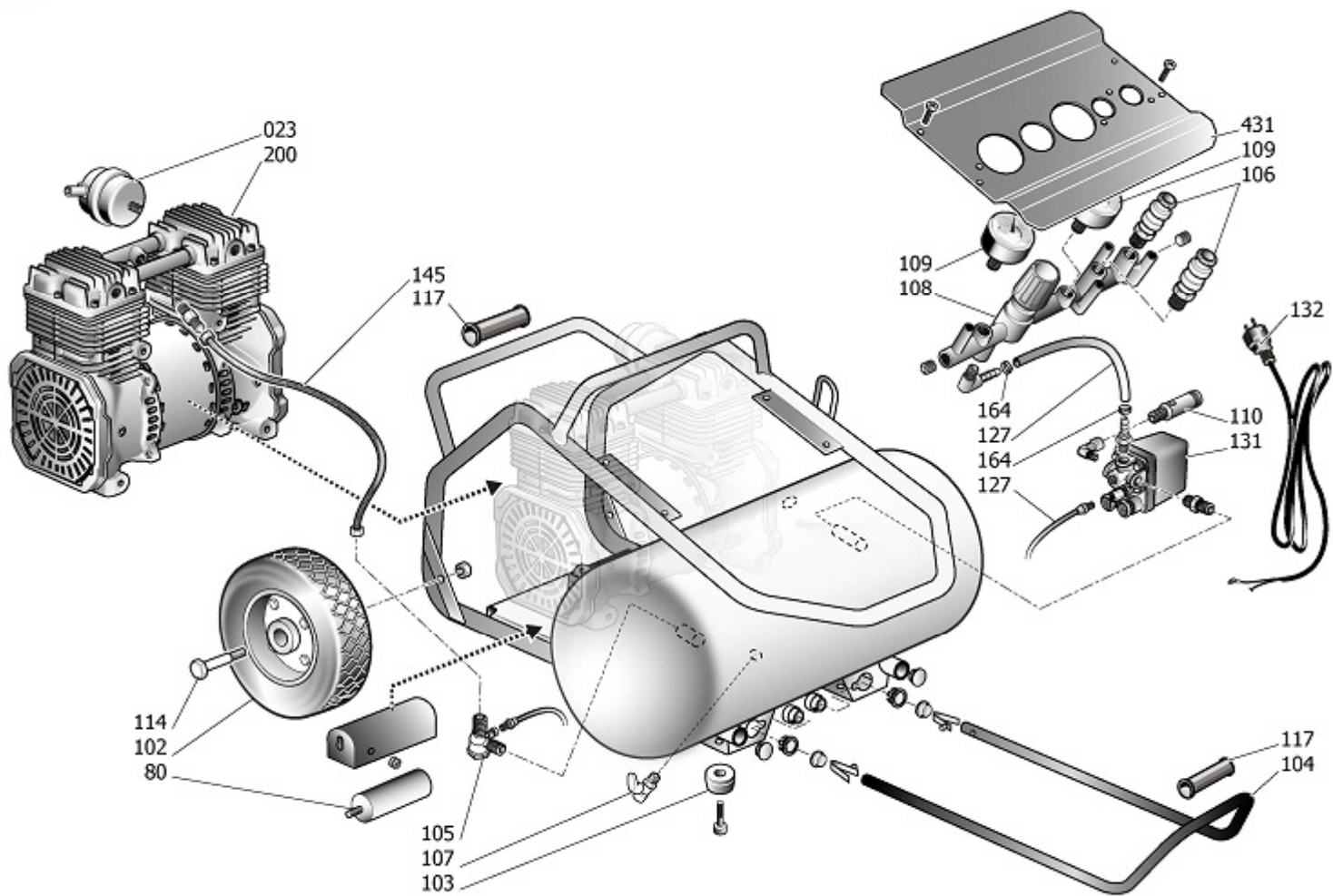


BB2R4



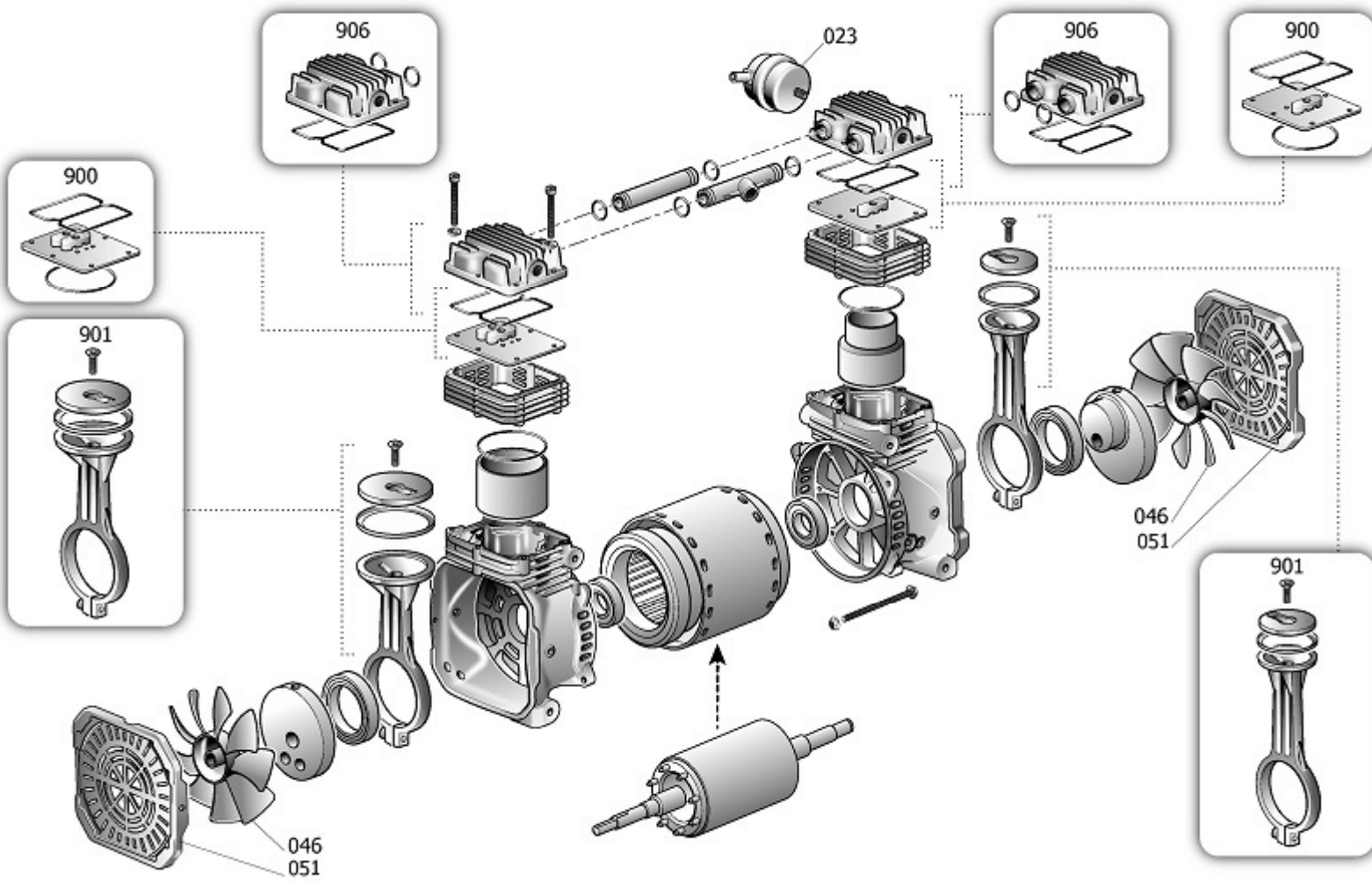


8216090NUA

SILTEK PRO 20 T

Pos	Component	MU	Multiplier
36	9004008	WASHER FLYWHEEL	PZ 4,0
80	9067058	CONDENSER	PZ 1,0
102	9415668	WHEEL	PZ 2,0
103	B_SST108	PIVOTING WHEEL/FOOT	PZ 2,0
104	9083743021	GRIP	PZ 1,0
105	9048146	CHECK VALVE	PZ 1,0
106	9412204	LINE COCK	PZ 2,0
107	9047100	CONDENSATE DRAIN COCK	PZ 1,0
108	9050778	PRESSURE REDUCER	PZ 1,0
109	9052272	PRESSURE GAUGE	PZ 2,0
110	9049337	RELIEF VALVE	PZ 1,0
114	9011084	WHEEL SPINDLE	PZ 2,0
116	9038352	PLUG	PZ 4,0
117	9038599	KNOB	PZ 2,0
127	9270006	RILSAN PIPE 4/6 BLACK	MT 0,2
127	9270051	HOSE .375 ID ROLL BLK (FC)_LC	MT 0,2
131	9063313	COMPLETE PRESSURE SWITCH	PZ 1,0
132	9065847	POWER CABLE	PZ 1,0
138	B_A20009	CLAMP	PZ 2,0
145	9043889	DELIVERY PIPE	PZ 1,0
164	9050592	ELBOW 1/4" MF FG.92 ROHS	PZ 1,0
200	B2A0000	BARE PUMP	PZ 1,0
431	9083745021	CONTROL PANEL	PZ 1,0

AB2K4





B2A0000

BARE PUMP

Pos	Component	MU	Multiplier
1	B260500 CASING	PZ	1,0
1	B260501 CASING	PZ	1,0
1	B260590 CASING	PZ	1,0
2	B230100 CYLINDER	PZ	1,0
2	9418048 CYLINDER	PZ	1,0
3	B260102 HEAD	PZ	1,0
3	B260103 HEAD	PZ	1,0
23	B280100 AIR FILTER ASSEMBLY	PZ	1,0
28	9050765 COOLING TUBE	PZ	1,0
30	9170138 BEARING 61909-2RZ	PZ	2,0
30	9170144 BEARING 6204 2Z ([669)	PZ	2,0
45	9140211 SEEGER 12 UNI 7435 ROHS	PZ	2,0
46	9069313 FAN	PZ	1,0
46	9069314 FAN	PZ	1,0
47	9067758 ROTOR	PZ	1,0
48	9067757 WOUND STATOR	PZ	1,0
51	9069315 MOTOR FAN COVER	PZ	2,0
900	9434A69 MPK VALVE PLATE QUADRA 1500 LF	PZ	1,0
900	9434A70 MPK VALVE PLATE QUADRA 1500 RG	PZ	1,0
901	9434B85 MPK PIST-CONROD QUADRA 4P (LP)	PZ	1,0
901	9434B86 MPK PIST-CONROD QUADRA 4P (HP)	PZ	1,0
906	9434G70 MPK HEAD QUADRA 4P 1500W (LF)	PZ	1,0
906	9434G71 MPK HEAD QUADRA 4P 1500W (RG)	PZ	1,0